



WHEATHEART

Transfer Auger & Portable Pit

Parts List



431 Gosport Street Moree
Phone 02 67521511 Fax 02 67524685
email - andrew@grainland.com.au
www.grainland.com.au

TRANSFER AUGER & PORTABLE PIT

TRANSFER AUGERS

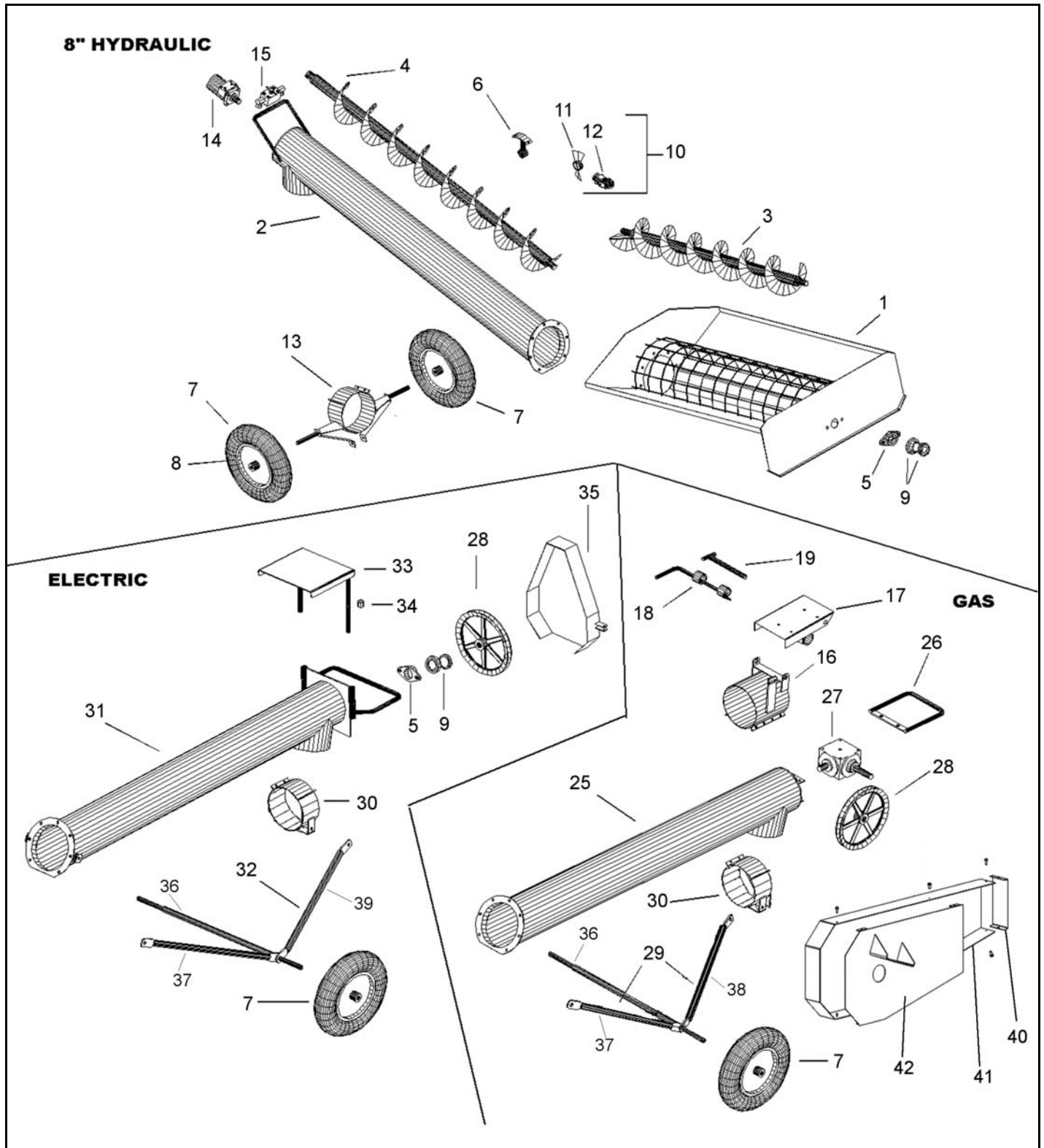
8" & 10" TRANSFER AUGERS, HYDRAULIC/ELECTRIC/GAS.....	D2
10" DOUBLE DRIVE TRANSFER AUGER	D4
13" TRANSFER AUGER (TRIPLE DRIVE)	D5
13" TRANSFER AUGER (SINGLE DRIVE)	D6
9" POLY TRANSFER AUGER	D7

PORTABLE PIT

STRUCTURE 10"/13"	D8
AUGERS, 10"	D10
AUGERS, 13"	D12
HYDRAULIC, 10"/13"	D13
HYDRAULIC, 10"	D14
ELECTRIC, 10"/13"	D15

Transfer Augers

8" & 10" TRANSFER AUGERS, HYDRAULIC/ELECTRIC/GAS



8" & 10" TRANSFER AUGERS, HYDRAULIC/ELECTRIC/GAS

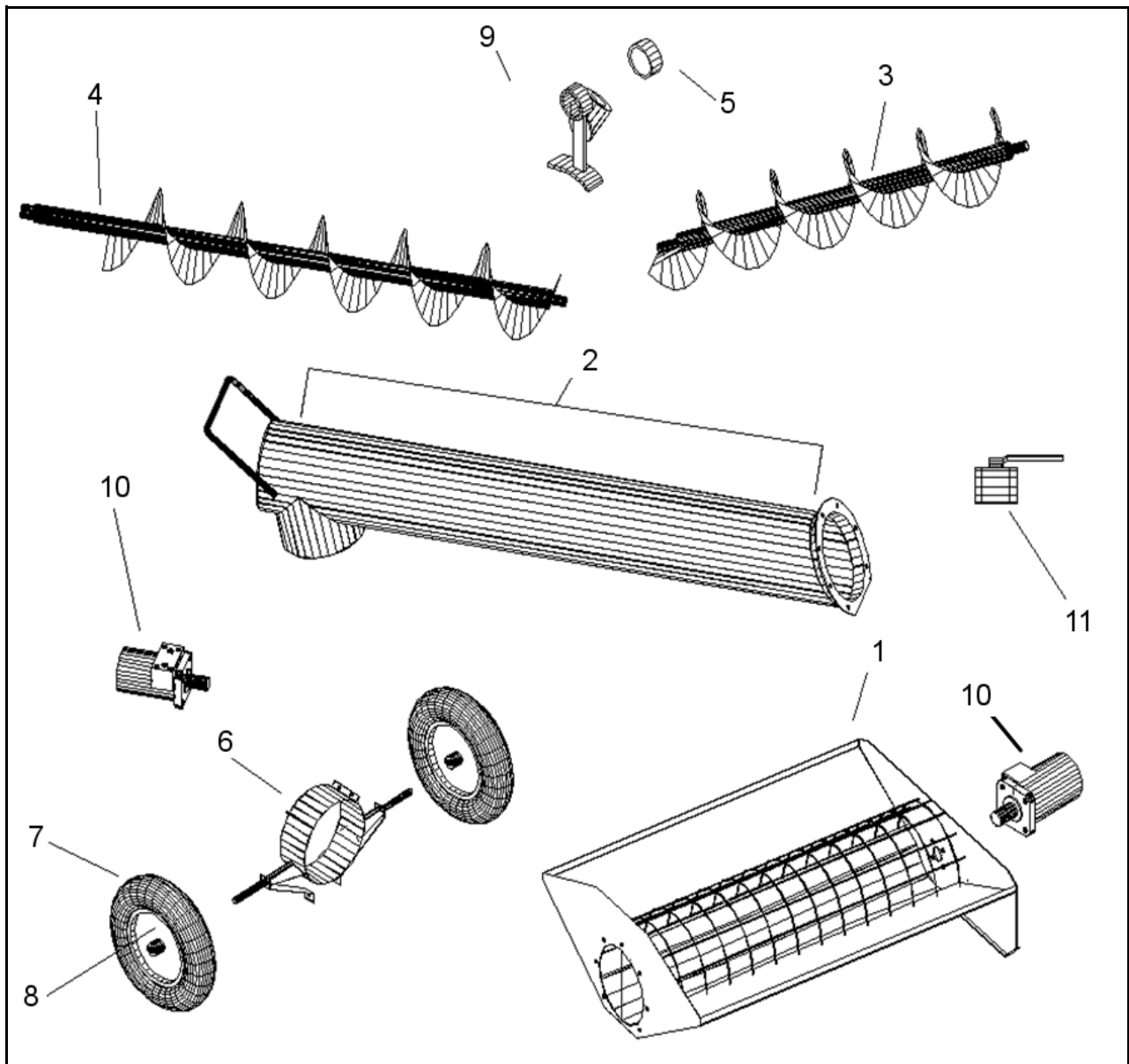
UNIVERSAL				
ITEM	PART NO.	DESCRIPTION	QTY	CROSS-REF
1	0301602	8" T.A. HOPPER SECTION	1	
	0308006	10" T.A. HOPPER SECTION	1	
2	0301604	8" UPPER AUGER TUBE	1	
3	0300684	LOWER FLIGHTING WITH SHAFT, 8"	1	
	0300685	LOWER FLIGHTING WITH SHAFT, 10"	1	
4	0300024	UPPER FLIGHTING, 8" HYD., GAS	1	
	0300026	UPPER FLIGHTING, 10", GAS	1	
	0300025	UPPER FLIGHTING, 8" ELECTRIC	1	
	0300046	UPPER FLIGHTING, 10" ELECTRIC	1	
5	0300013	205 CAST FLANGE W/CAM-LOCK	1	
6	0300679	8" HANGER & BUSHING	1	
	0300682	10" HANGER & BUSHING, 10" TRANSFER AUGER	1	
	9900268	REPLACEMENT BUSHING, 1-1/16 (NOT SHOWN)	1	
7	28169	WHEEL AND TIRE, 4.8 - 8"	2	9900316
8	27384	5/32" COTTER PIN	2	0300613
9	0300014	1" BEARING WITH CAMLOCK, 8" OR 10"	1	
10	0301616	U-JOINT WITH IMPELLER, 8"	1	
	0301617	U-JOINT WITH IMPELLER, 10"	1	
11	0300022	IMPELLER ONLY 8"	1	
	0300022A	IMPELLER ONLY 10"	1	
12	9900249X	U-JOINT DRILLED BOTH SIDES	1	
	9900182	8" HYDRAULIC T.A. BOLT PACKAGE (NOT SHOWN)	1	
	9900184	GAS/ELECTRIC T.A. BOLT PACKAGE (NOT SHOWN)	1	

HYDRAULIC - 8"				
ITEM	PART NO.	DESCRIPTION	QTY	CROSS-REF
13	0300615A	WHEEL BAND ASSY 8" W/STIFF/CAP	1	
14	9901001MANRP	MOTOR HYD., MANIFOLD, 4.6	1	
15	1100000	SPEED CONTROL VALVE, COMPLETE	1	

GAS				
ITEM	PART NO.	DESCRIPTION	QTY	CROSS-REF
16	0300015	MOTOR BAND CLAMP, 8" (2 PIECES)	1	
	0300029	MOTOR MOUNT CLAMP, 10" (2 PIECES)	1	
17	0300016	MOTOR MOUNT PLATE, 8"	1	
	0300030	MOTOR MOUNTING PLATE, 10"	1	
18	0300017	TIGHTENER PIN, 8"	1	
	0300031	TIGHTENER PIN, 10"	1	
19	0300018	T-PIN, 8"	1	
	0300032	T-PIN, 10"	1	
	0300700	GUARD, ASSEMBLY, GAS TRANSFER AUGER (REPLACES 0300667)	1	
	0300694	GUARD, END COVER, GAS TRANSFER AUGER	1	
	0300698	GUARD, BACK WELD'T, GAS TRANSFER AUGER	1	
	0300699	GUARD, FRONT WELD'T, GAS TRANSFER AUGER	1	
	19274	SCREW SHEET METAL, 1/4" X 5/8"	6	9900132
25	0300650	8" AUGER TUBE WITH GEAR BOX BRACKET		
	0300651	10" AUGER TUBE WITH GEAR BOX BRACKET	1	
26	0300653-5	TRANSPORT HANDLE, GAS	1	
27	0300655	GEARBOX, 1:1.5 RATIO (1994)	1	
28	W19613	GEARBOX PULLEY, 13" DOUBLE, 8 & 10"	1	
29	0300670	WHEEL FRAME ASSEMBLY (5 PIECES)		
30	0300671	WHEEL FRAME CLAMP, 8" (2 PIECES)		
	0300672	WHEEL FRAME CLAMP, 10" (2 PIECES)		
36	0300670-3	AXLE / SINGLE	1	
37	0300005-3	FRAME PIECE / SINGLE	1	
38	0300670-2	FRAME PIECE / SINGLE	1	
40	0300694	GUARD, END COVER	1	
41	0300699	GUARD, FRONT WELD'T	1	
42	0300698	GUARD, BACK WELD'T	1	

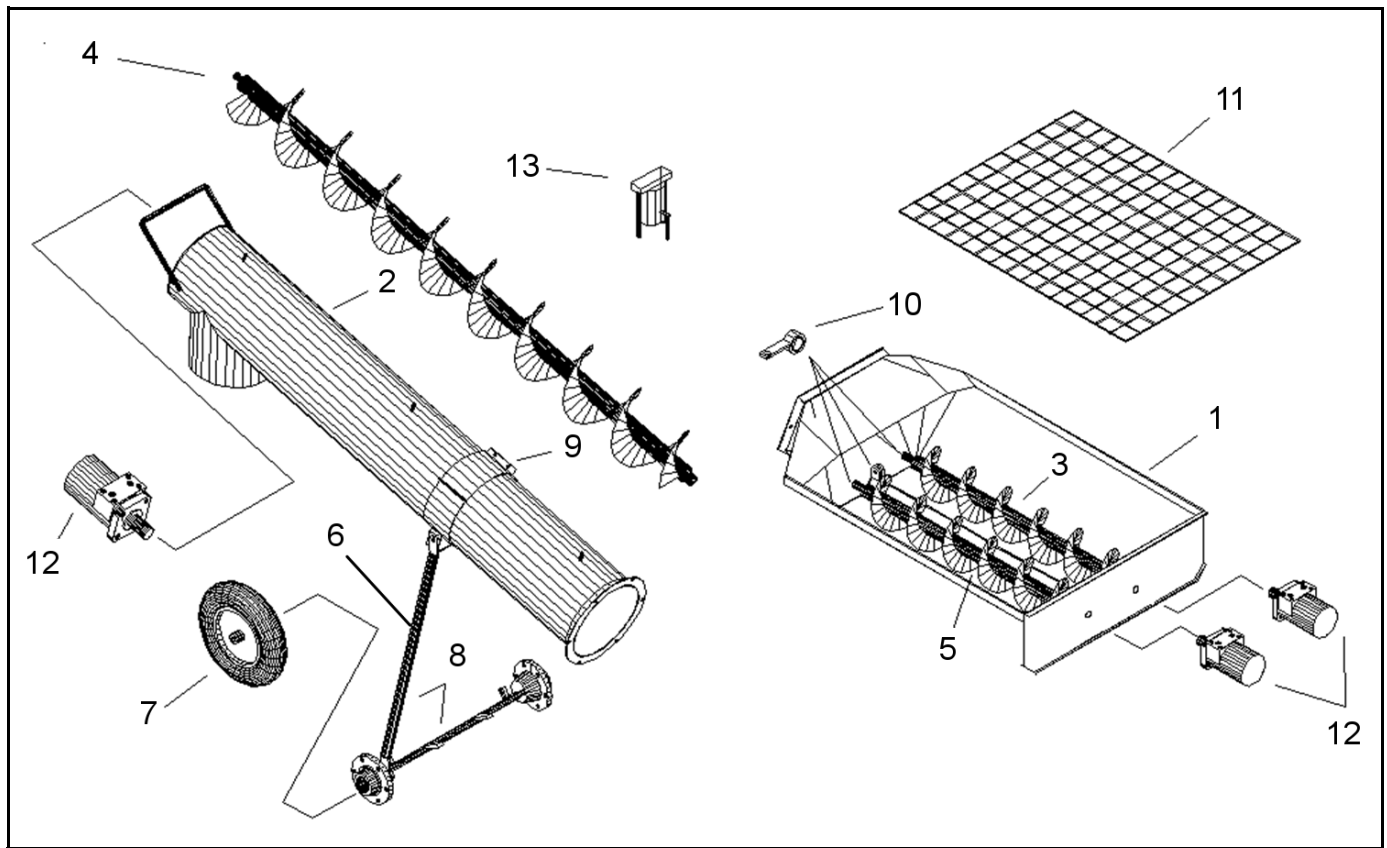
ELECTRIC				
ITEM	PART NO.	DESCRIPTION	QTY	CROSS-REF
31	0300001	8" AUGER TUBE (ELECTRIC)	1	
	0300002	10" AUGER TUBE (ELECTRIC)	1	
32	0300005	WHEEL FRAME ASSEMBLY, 5 PIECE, ELECTRIC	1	
33	0300006	MOTOR MOUNTING PLATE (ELECTRIC) 8"	1	
	0306002	MOTOR MOUNTING PLATE (ELECTRIC) 10"	1	
34	19601	NUT NYLOCK 3/4" UNC PLT	2	9900695
35	0300010	BELT GUARD (ELECTRIC)	1	
36	0300670-3	AXLE / SINGLE	1	
37	0300005-3	FRAME PIECE / SINGLE	1	
39	0300670-1	FRAME PIECE / SINGLE	1	

10" DOUBLE DRIVE TRANSFER AUGER



ITEM	PART NO.	DESCRIPTION	QTY	CROSS REF.
1	0308006	10" T.A. HOPPER SECTION	1	
2	0308009	10" UPPER AUGER TUBE W/ CHANNEL	1	
3	0308001	HOPPER FLIGHTING WITH 1" SHAFT, 10"	1	
4	0308002	TUBE FLIGHTING, 10"	1	
5	9900268	1-1/16" ID BRASS BUSHING	2	
6	0300616A	WHEEL BAND ASSY 10" W/STIFF/CAP	1	
7	28169	WHEEL AND TIRE, 4.8 - 8"	2	9900316
8	27384	5/32" COTTER PIN	2	0300613
9	0308012	HANGER WITH BUSHINGS	1	
10	28183	MOTOR, HYD., 4.6	2	9901001PRP
11	28475	VALVE, BALL 1/2 F/FNPT	1	1600005
	9900183	BOLT PACKAGE	1	
	0308010	HOSE KIT (2 - 138"-1/2" HOSES)	1	

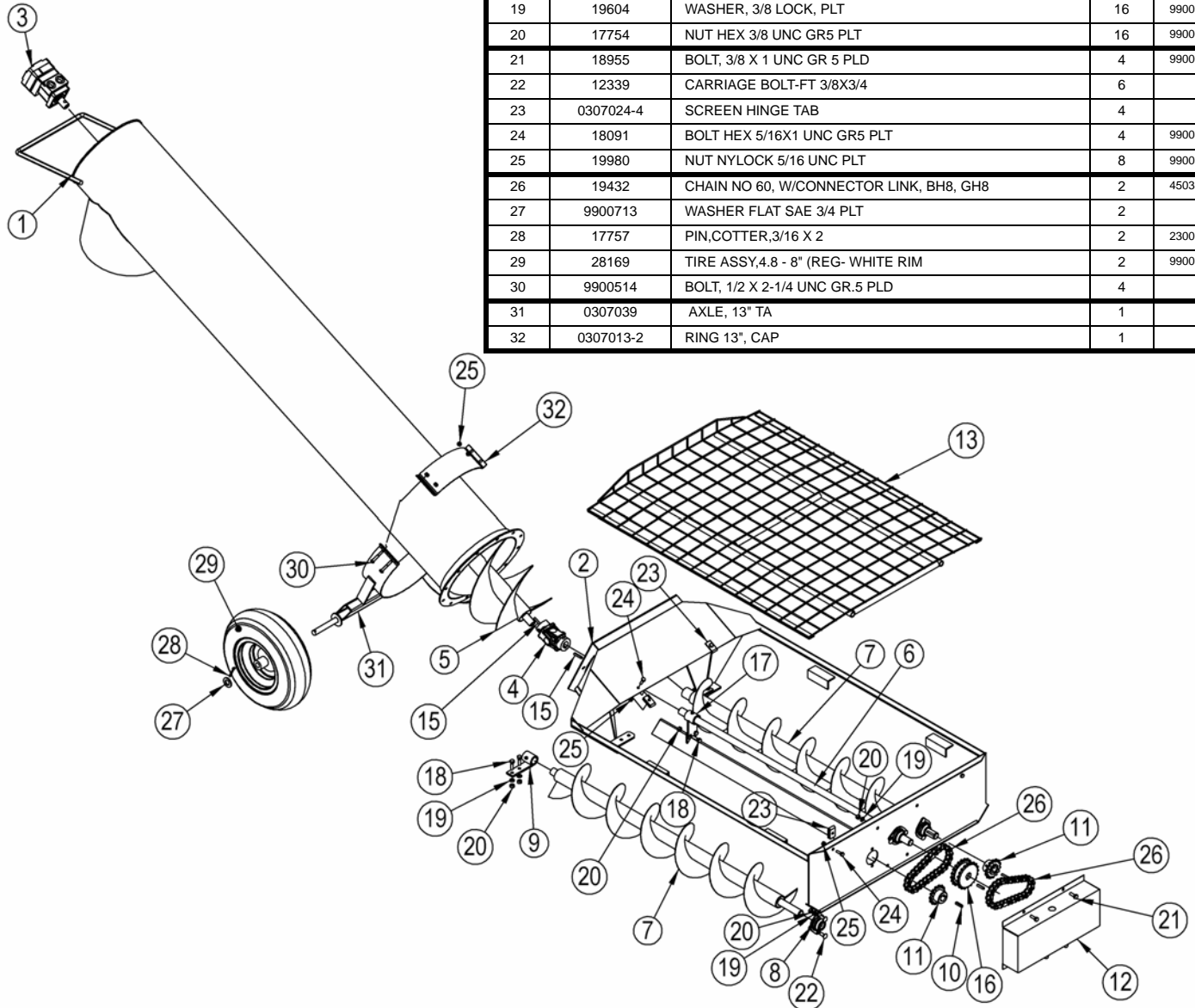
13" TRANSFER AUGER (TRIPLE DRIVE)



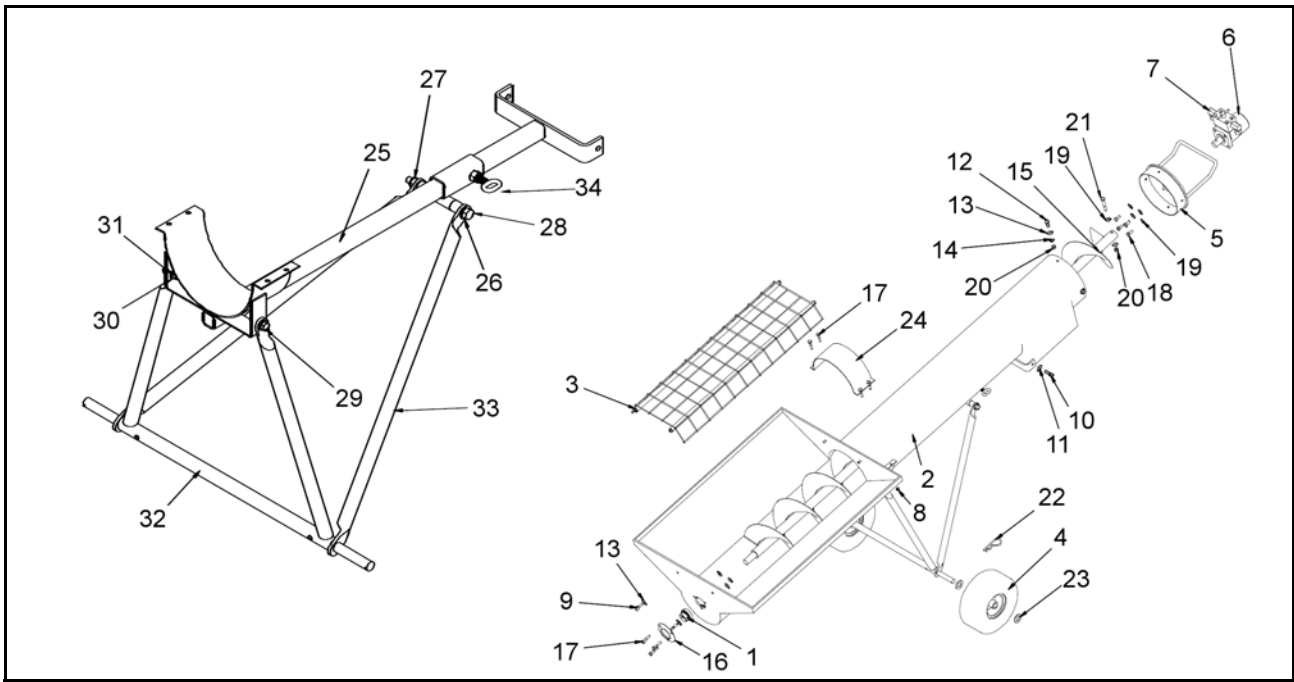
ITEM	PART NO.	DESCRIPTION	QTY	CROSS REF.
HYDRAULIC:				
1	0307019	13" T.A. HOPPER, DOUBLE WIDE, WITH TRANSITION	1	
2	0307020	13" UPPER AUGER TUBE	1	
3	0307002	HOPPER FLIGHTING - LEFT HAND - LOWER (O/S)	1	
4	0307007	UPPER FLIGHTING	1	
5	0307003	HOPPER FLIGHTING - RIGHT HAND - LOWER (N/S USES 2)	1	
6	0307028	AXLE LINK PIPE	2	
7	0307021	WHEEL AND TIRE, 5.3 - 8", 4 BOLT	2	
8	0307022	AXLE WITH SPINDLES AND TABS	1	
9	0307013	13" TUBE BAND, 2 PIECES	1	
10	0307018	HANGER WITH BUSHING	3	
	9900268	1-1/16 BUSHING	3	
11	0307024	WELDED SCREEN	1	
12	9901002PRP	MOTOR, HYD., 6.3	3	
13	28475	VALVE, BALL 1/2 F/FNPT	1	1600005
	0307023	HUB WITH BEARINGS (4 BOLT), EACH	2	
	0307025	HOSE KIT (174", 162", 10" - 1/2" HOSES)	1	
14	0300040	FTG BAG (CONVERT CLOSED CENTER TO OPEN) - NOT SHOWN	*	

13" TRANSFER AUGER (SINGLE DRIVE)

ITEM	PART NO.	DESCRIPTION	QTY	CROSS REF.
1	0307020	DISCHARGE TUBE, 13 IN	1	
2	0307044	HOPPER DOUBLE 13" W/TRANSITION, SNGL DRIVE	1	
3	9901002PRP	MOTOR, HYD, 6.3 RS, 1/2NPTF, 3/8" HOLE	1	
4	0309069	U-JOINT, 1" X 1", H10, 1/4 KEYED, NO SCREWS	1	
5	0307043	DISCHARGE AUGER 13" TRANSFER, SNGL DRIVE	1	
6	0307045	CENTER SHAFT, SNGL DRIVE 13" TA	1	
7	0307042	AUGER, RT HAND, 13TA HOPPER, SNGL DRIVE	2	
8	19321	1.0" FLANGETTE BEARING W/LOCKING COLLAR	3	0300611
9	17583	TOP MOUNT BHNG SUPPORT, SA HOPPER WF	2	
10	0309011-5	KEY, 1/4SQ X 1-1/4	3	
11	19131	SPROCKET 5014 W 1.0 (KEY0.25)	2	348081
12	17397	CHAIN GUARD	1	4504145
13	0307024	GUARD, 13" TA HOPPER	1	
14	0307038	AXLE ASSY., 13" T.A (INCL. 31, 32, 30 & 25) (NOT SHOWN)	*	
15	19606	KEY, 1/4SQ X 1-1/2	2	700615
16	17349	SPROCKET #50-20T, DOUBLE	1	
17	0307044-3	DRIVE SHAFT BUSHING MOUNT, 13" T.A	1	
18	19975	BOLT, 3/8 X 1-1/4 UNC GR 5 PLD	6	9900531
19	19604	WASHER, 3/8 LOCK, PLT	16	9900528
20	17754	NUT HEX 3/8 UNC GR5 PLT	16	9900660
21	18955	BOLT, 3/8 X 1 UNC GR 5 PLD	4	9900699
22	12339	CARRIAGE BOLT-FT 3/8X3/4	6	
23	0307024-4	SCREEN HINGE TAB	4	
24	18091	BOLT HEX 5/16X1 UNC GR5 PLT	4	9900839
25	19980	NUT NYLOCK 5/16 UNC PLT	8	9900520
26	19432	CHAIN NO 60, W/CONNECTOR LINK, BH8, GH8	2	4503129
27	9900713	WASHER FLAT SAE 3/4 PLT	2	
28	17757	PIN, COTTER, 3/16 X 2	2	2300198
29	28169	TIRE ASSY, 4.8 - 8" (REG- WHITE RIM)	2	9900316
30	9900514	BOLT, 1/2 X 2-1/4 UNC GR.5 PLD	4	
31	0307039	AXLE, 13" TA	1	
32	0307013-2	RING 13", CAP	1	



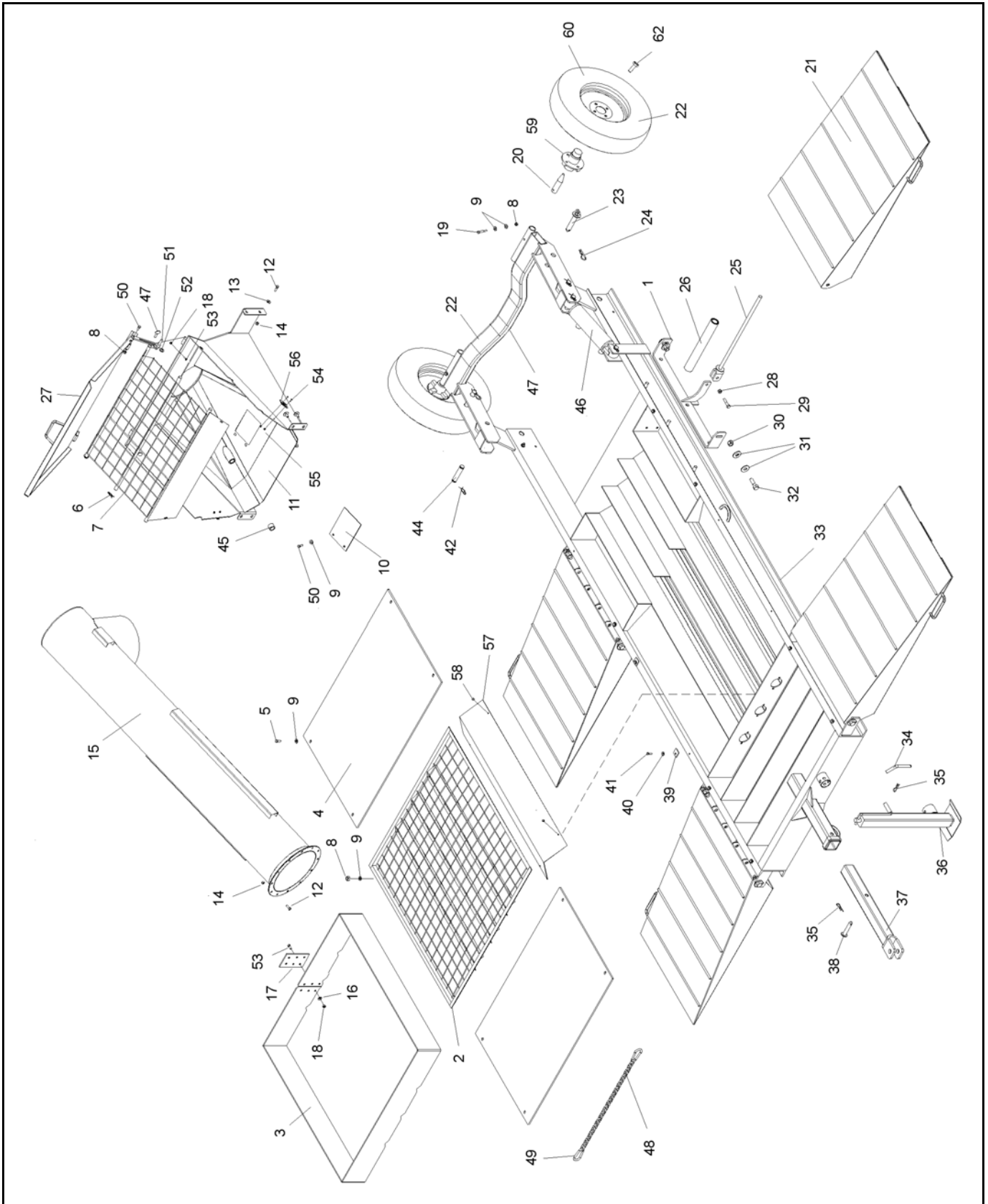
9" POLY TRANSFER AUGER



ITEM	PART NO.	DESCRIPTION	QTY	CROSS REF.
1A	0300014	1" BEARING WITH CAMLOCK, 8" OR 10"	1	
2B	0311001	POLY AUGER SHELL	1	
3C	0311007	SCREEN	1	
4D	2603010	TIRES 4.10 X 3.50	2	
5E	0311024	HANDLE/ END CAP ASSEMBLY	1	
6F	9901001MANRP	MOTOR, HYD., 4.6 MANIFOLD	1	
7G	1100000	SPEED CONTROL VALVE, COMPLETE	1	
8H	9900554	NUT HEX 5/16 UNC PLT	9	
9J	0311027	THUMB SCREW	4	
10K	19975	BOLT HEX 3/8 X 1 1/4	2	9900531
11L	17392	WASHER FLAT 3/8 PLT	2	0601008
12M	18955	BOLT HEX 3/8 X 1	4	9900699
13N	27336	WASHER FLAT 5/16 PLT	14	9900529
14P	9900523	WASHER LOCK 5/16" PLT	4	
15Q	0311017	CORE W/ FLIGHTING	1	
16R	0311030	205 BEARING FLANGE	1	
17S	9900586	BOLT HEX 5/16 X 1 1/2	7	
18T	19540	BOLT HEX 3/8 X 3/4	4	9900530
19U	17392	WASHER FLAT 3/8 PLT	6	0601008
20V	17754	NUT HEX 3/8 UNC GR.5 PLT	5	9900660
21W	18699	BOLT HEX 3/8 X 2 1/2	1	9900512
22X	19463	HAIRPIN 3/16 X 3 1/4	2	4500070
23Y	9900713	WASHER FLAT SAE 3/4 PLT	4	
24Z	0311005-2	TUBE SUPPORT CLAMP	1	
25A1	0311009	TUBE SUPPORT ASSEMBLY	1	
26B1	17401	WASHER FLAT 1/2 PLT	1	9900565
27C1	19599	NUT NYLOCK 1/2 UNC GR5 PLT	1	9900538
28D1	9900687	BOLT HEX 1/2 X 6	1	
29E1	19975	BOLT HEX 3/8 X 1 1/4	2	9900531
30F1	17392	WASHER FLAT 3/8 PLT	4	0601008
31G1	17754	NUT HEX 3/8 UNC GR.5 PLT	2	9900660
32H1	0311016	AXLE FRAME	1	
33J1	0311003	FRAME MEMBER W/ OUTSIDE PIVOT	2	
34K1	2300163-2	BOLT HOLDER, PIPE	1	

Portable Pit

STRUCTURE 10"/13"



STRUCTURE 10"/13"

ITEM	PART NO.	DESCRIPTION	QTY	CROSS REF.
28	19599	NUT, NYLOCK, 1/2, UNC, GR5, ZP	4	9900658
29	9900560	BOLT, HEX, 1/2X2 1/4, UNC, GR5, ZP	4	
30	19601	NUT, NYLOCK, 3/4, UNC, GR5, ZP	20	9900685
31	9900506	WASHER, FLAT, 3/4, ZP	16	
32	28446	BOLT, HEX, 3/4X2 1/2, UNC, GR5, ZP	8	9900635
33	0310012	FRAME, 10 IN	1	
	0309002	FRAME, 13 IN		
34	0309028	JACK PIN, 5/8" C/W HAIRPIN (C/W JACK)	1	
35	0309027-2	HAIRPIN - 7/16 - 3/4, 1/8 DIA	2	
36	0310065	JACK, HB/CROWN/W, TW, 20", 3000# W/PIN	1	
37	0309023	HITCH	1	
38	0309027	LOCKING HITCH PIN, 3/4" X 4"	1	
39	0309022	GUARD TAB, 10" (S/N DOP-00-04-01 TO DOP-02-09-116)	4	
40	27336	WASHER FLAT 5/16 PLT (S/N DOP-00-04-01 TO DOP-02-09-116)	4	9900629
41	18091	BOLT HEX 5/16 X 1 (S/N DOP-00-04-01 TO DOP-02-09-116)	4	9900639
42	2605004	EXTERNAL HITCH PIN, 3/4 X 3/82 WIRE	8	
43	0309026	(10") PIN, 1" X 3-3/4" C/W EXTERNAL HITCH PINS (NOT SHOWN)	1	
44	0309025	(13") PIN, 1" X 4-3/4" C/W EXTERNAL HITCH PINS	3	
45	0309006-12	BUSHING 1 5/16 X 1 X 1	2	
46	2300010	CYL, 3X8X1.25 ROD, BALL ENDS, F/B TILT	1	
47	9900003	THUMB SCREW W/NUT (S/N 200331-)	1	
48	9900893	CHAIN, 3/16 X 30 LINKS	2	
49	9900876	SNAP LINK, 3/8 X 4	4	
50	19540	BOLT, 3/8 X 0.75 UNC GR5 PLD	3	9900630
51	0309067	SUPPORT BRACKET, SIDE HOPPER LID	1	
52	0309075	RETAINING RING, 5/8", EXT E	2	
53	27113	BOLT, 1/4 X 3/4 UNC GR5 PLD	6	9900800
54	19537	BOLT, #10 UNC GR5 PLT	4	9900747
55	17402	NUT HEX #10 UNC GR 5 (10/13" DOP)	14/12	0601007
56	0309065	OVER CENTER CLAMP, SIDE HOP GUARD	2	
57	0310012-10	TROUGH CENTER COVER, 10" DOP		
58	19274	SMS, #14 X 5/8" W/WASHERHEAD	4	9900132
59	19467	HUB H411 COMPLETE	2	4500069
60	2300072	TIRE, 15" (NET PRICE/TIRE)	2	
61	19261	RIM 15" X 4 HOLE	2	4500059-11
62	19273	WHEELBOLT (WB10)	8	4500059-7

ITEM	PART NO.	DESCRIPTION	QTY	CROSS REF.
1	0309033	RAMP MOUNTING BRACKET	4	
2	0309073	GUARD, CENTER HOPPER (S/N 200331-)	1	
	0310004	GUARD, CNTR HOP, 10" (S/N DOP-00-04-01 TO DOP-02-09-116)		
3	0309057-9	BELTING (S/N 200331-)	1	
	0310004-1	BELTING (S/N DOP-00-04-01 TO DOP-02-09-116)		
4	0309013-2	COVER PLATE, DRIVE-OVER	2	
5	18955	BOLT, 3/8 X 1 UNC GR5 PLD (10/13" DOP)	14/12	9900689
6	2310051	EXTERNAL HITCH PIN, 5/8 X 3/16 WIRE	1	
7	0309066	GUARD, SIDE HOPPER, (S/N 200331-)	1	
	0310022	GUARD, SIDE HOP, 10" (S/N DOP-00-04-01 TO DOP-02-09-116)		
8	17402	NUT, NYLOCK, 3/8, UNC, GR5, ZP (10/13" DOP)	14/12	0601007
9	17392	WASHER, FLAT, 3/8, ZP	5	0601008
10	0310064	CLEANOUT DOOR, TRANSITION	1	
11	0310079	TRANSITION, 10 IN (S/N 200511-)	1	
	0310033	TRANSITION, 10 IN (S/N 200331-200382)		
	0310006	TRANSITION, 10 IN (S/N DOP-00-04-01 TO DOP-02-09-116)		
	0309006	TRANSITION, 13 IN	1	
12	19542	BOLT, HEX, 7/16 X 1, UNC, GR5, ZP (10/13" DOP)	14/20	4500088
13	9900555	WASHER, FLAT, 7/16, ZP	8	
14	9900643	NUT, NYLOCK, 7/16, UNC, GR5, ZP (10/13" DOP)	14/20	
15	0310019	DISCHARGE TUBE, 10 IN	1	
	0309019	DISCHARGE TUBE, 13 IN	1	
16	9900683	WASHER FLAT 1/4" PLT	6	
17	0309057-10	BELT CONNECTOR (S/N 200331-)	1	
18	28449	NUT NYLOCK 1/4	6	9900662
19	18699	BOLT, HEX, 3/8X2 1/2, UNC, GR5, ZP	2	9900512
20	4500059-9	SPINDLE, S411	2	
21	0309001	RAMP	4	
22	0309016	TRANSPORT	1	
23	0310027	PIN, 1" X 4" WITH HANDLE C/W HAIR PIN	2	
24	19463	HAIRPIN 3/16 X 3 3/4	2	4500070
25	0309017	SPRING ROD	4	
26	0309014-7	COMP SPRING, 102 LB/IN, 22 1/2	4	
27	0309078	TRANSITION LID, (S/N 200511-)	1	
	0309072	TRANSITION LID, 10" D.O.P. (S/N 200331-200382)		
	0310007	TRANSITION LID, 10" D.O.P. (S/N DOP-00-04-01 TO DOP-02-09-116)		

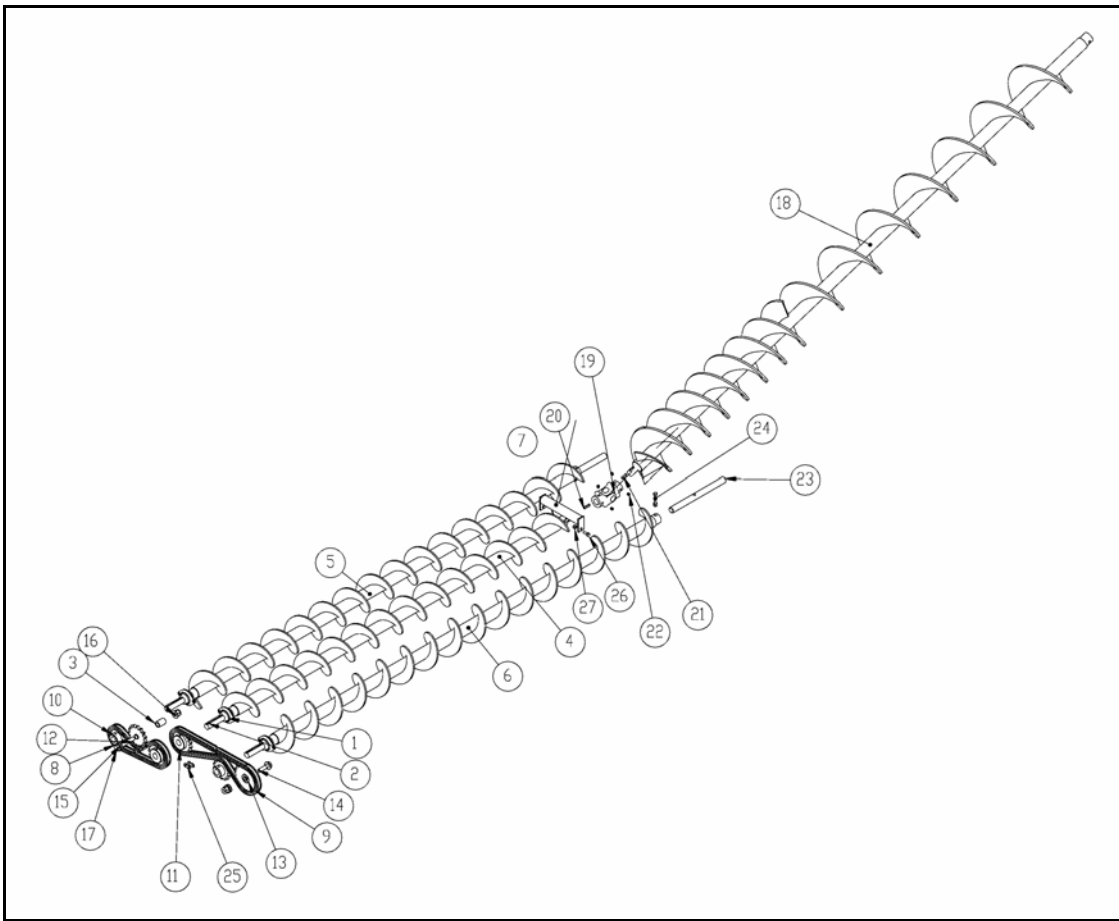


AUGER, 10"

ITEM	PART NO.	DESCRIPTION	QTY	CROSS REF.
1	0309080	SIDE AUGER, 6 IN HEAVY DUTY, RH	1	
2	0309081	SIDE AUGER, 6 IN HEAVY DUTY, LH	1	
3	0309011-5	KEY, 1/4" X 1 1/4"	5	
4	0310002-3	COUPLER SHAFT SHORT, SIDE AUGER	2	
5	9900175	SPROCKET 6017 X1(KEY0.25)	2	
6	0310049	HOPPER AUGER DRIVESHAFT	1	
7	19430	SPROCKET 6014 W1(KEY0.25)	2	4503124
8	0310052	CHAIN, #60, FWD HOPPER DRIVE, W/CONN. LINK	1	
9	9900229	SPROCKET, IDLER ASSEMBLY, #60 X 15T	1	
10	19991	BOLT, 5/8 X 2 UNC GR5 PLD	1	9900818
11	19966	WASHER FLAT SAE 5/8 PLD	6	9900779
12	19600	NUT NYLOCK 5/8 UNC GR5 PLT	2	9900831
13	18093	BOLT, 5/8 X 3-1/2 UNC GR5 PLD	1	9900799
14	0309064	IDLER SPACER	1	
15	19321	1.0" FLANGETTE BEARING W/LOCKING COLLAR	5	0300611
16	0310062	CHAIN, #60, REVERSE HOPPER DRIVE, W/LINK	1	
17	9900177	IDLER ASSEMBLY, #60 X 20T	1	
18	19433	CHAIN,CONNECTOR LINK,#60	2	9900771-2
19	0310023	DISCHARGE AUGER, 10 IN	1	
20	0309069	U-JOINT, 1" X 1" H10 KEYED	1	
21	19224	WOODRUFF (#808) 1/4 X 1	1	4503192
22	27980	BOLT, 3/8 X 1-3/4 UNC GR5 PLD	2	9900510
23	17402	NUT NYLOCK 3/8 UNC GR5 PLT	3	0601007
24	27980	BOLT HEX 3/8 X 2-1/4 UNC GR5	1	9900510
25	9901002PRP	HYD MOTOR, 6.3 CU. IN.	1	
26	0310002-1	ROLLER CHAIN, #50	1	
27	14765	DISCHARGE AUGER, 10 IN	1	0310020
28	0310020-4	MOTOR COUPLER 10"	1	
29	28183	ORBIT MOTOR, 4.6 CU IN	2	9901001PRP
30	19604	WASHER LOCK, 3/8	8	9900528
31	18955	BOLT HEX 3/8 X 1, UNC, GR.5	8	9900699
32	18699	BOLT HEX 3/8 X 2-1/2, UNC, GR.5	1	9900512
33	17392	WASHER, 3/8	2	0601008
34	0310020-5	BUSHING, 1-1/16 X 1-1/2 X 1	1	
35	9900694	BOLT HEX, 3/8 X 1 1/2	2	
36	17592	COUPLER CHAIN12T	1	0310008
37	19975	BOLT HEX, 3/8 X 1 1/4	2	9900531
38	0309011-8	COUPLER SHAFT LONG, SIDE AUGER	1	
39	0310018	AUGER SUPPORT, 10"	1	
40	0309008	SIDE AUGER, 6", RH	2	
41	350001	IDLER SPROCKET, 5013, 5/8 BORE	1	
42	27589	BOLT HEX, 5/8 X 2 1/2, UNC GR.5	1	9900819
43	9900694	BOLT HEX, 3/8 X 2, UNC GR.5	4	
44	83003	BEARING, 1-1/4 FLAT	2	
45	348080	SPROCKET, 5014W , 1-1/4 BORE, KEYWAY	2	

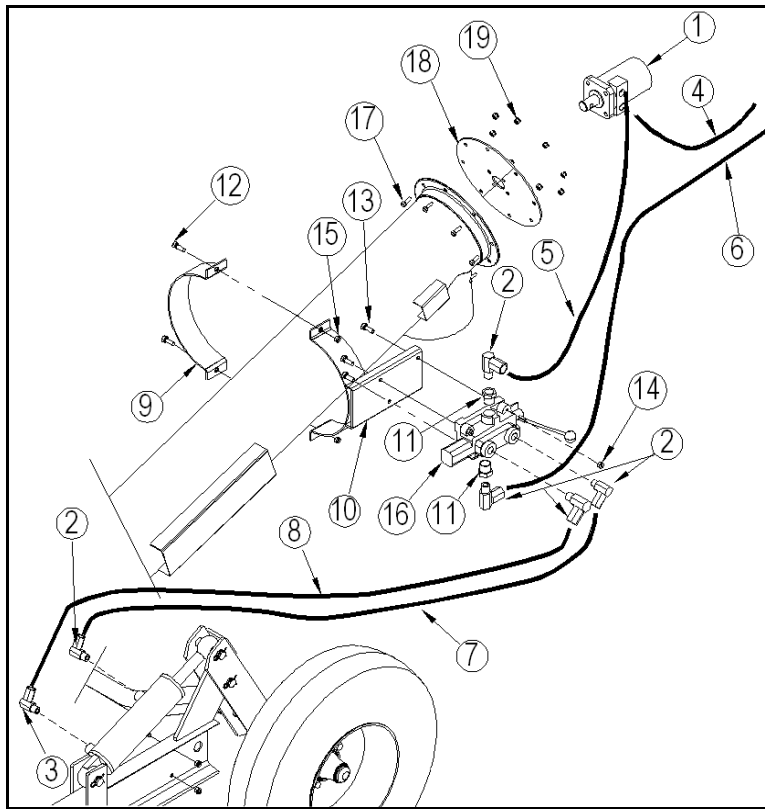
D

AUGERS, 13"



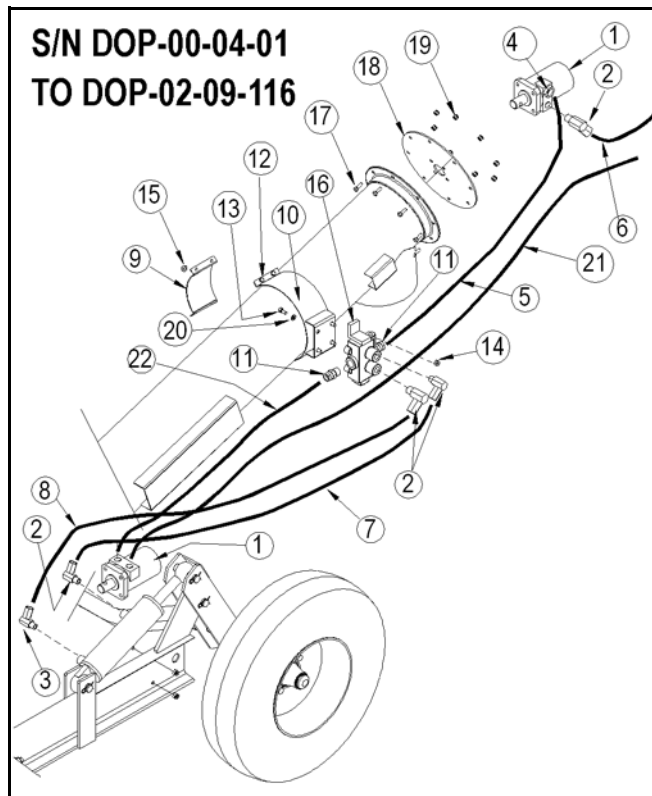
ITEM	PART NO.	DESCRIPTION	QTY	CROSS REF.
1	19321	1.0" FLANGETTE BEARING W/LOCKING COLLAR	3	0300611
2	0309011-5	KEY, 1/4" X 1 1/4"	5	
3	0309064	TUBE,DOM,1OD X .188W X 1-7/16	1	
4	0309079	AUGER,CENTER,6" HEAVY DUTY, RH	1	
5	0309080	SIDE AUGER, 6 IN HEAVY DUTY, RH	1	
6	0309081	SIDE AUGER, 6 IN HEAVY DUTY, LH	1	
7	0309099	CENTER AUGER U-JOINT BSHG MT W/BSHG	1	
8	0310052	CHAIN,#60 X 40 LINKS(30") W/CONN LINK	1	
9	0310062	CHAIN,#60X60 LINKS(45") W/CONN LINK	1	
10	19430	SPROCKET 6014 W1(KEY0.25)	2	4503124
11	9900175	SPROCKET 6017 X1(KEY0.25)	2	
12	9900229	SPROCKET, IDLER ASSEMBLY, #60 X 15T	1	
13	9900177	IDLER ASSEMBLY,#60 X 20T,CUSTOM MADE	1	
14	19991	BOLT, 5/8 X 2 UNC GR5 PLD	1	9900818
15	19966	WASHER FLAT SAE 5/8 PLD	6	9900779
16	19600	NUT NYLOCK 5/8 UNC GR5 PLT	2	9900831
17	18093	BOLT, 5/8 X 3-1/2 UNC GR5 PLD	1	9900799
18	0309010	DISCHARGE AUGER, 13"	1	0309010
19	0309069	U-JOINT,1" X 1",H10,1/4 KEYED,NO SCREWS	1	
21	19224	WOODRUFF (#808) 1/4 X 1	1	4503192
22	19225	SET SCREW,3/8-16 X 3/8,ALLEN	4	9900131
23	0310002-3	COUPLER SHAFT SHORT, SIDE AUGER	2	
24	27980	BOLT, 3/8 X 2-1/4 UNC GR5 PLD	2	9900510
25	19433	CHAIN,CONNECTOR LINK,#60	2	9900771-2
26	18955	BOLT, HEX, 3/8" X 1", UNC, GR.5	2	9900699
27	17402	NUT, 3/8" UNC, NYLOCK, GR5 PLT	2	0601007

HYDRAULIC, 10"/13"



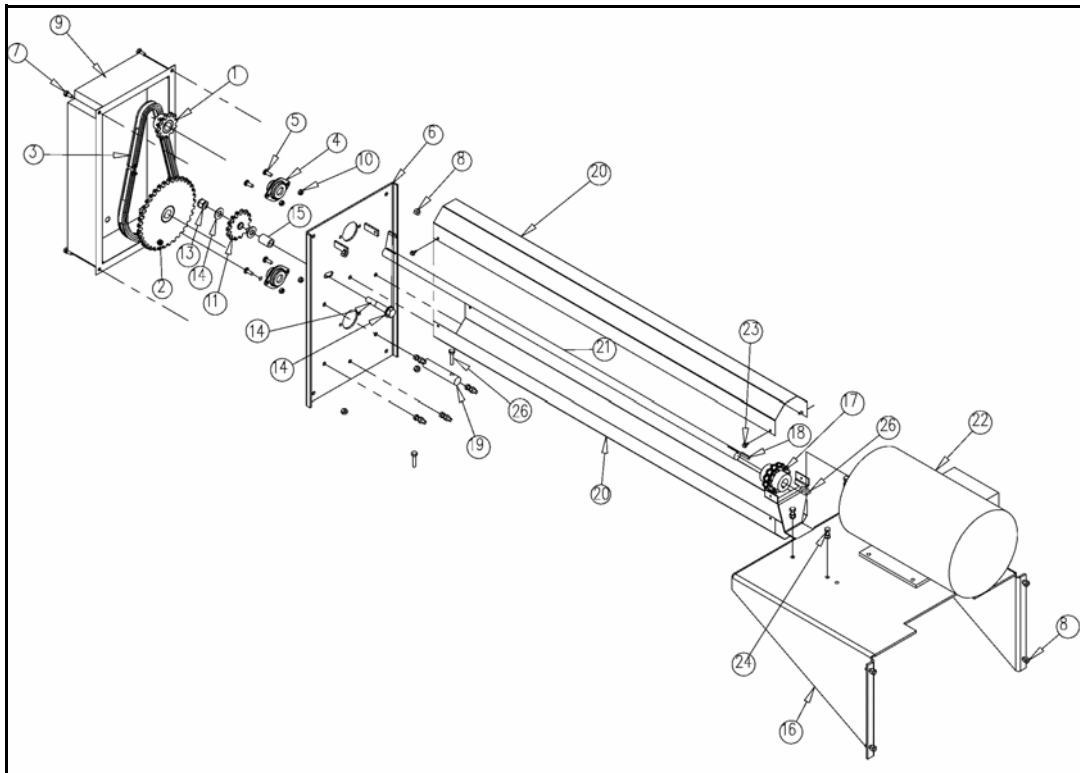
ITEM	PART NO.	DESCRIPTION	QTY	CROSS REF.
1	9901002PRP	MOTOR HYD. 6.3, 1/2NPTF, 3/8 ROLLPIN (10")	1	
	9901005PRP	MOTOR HYD, 5.4, 3000PSI, 1/2NPT,3/8 HOLE (13")	1	
2	28478	FTG, ELB, 1/2MNPT X 1/2FNPSM	5	9900331
3	9900332	FTG,ELB,1/2MNPT X 1/2FNPSM W/ORF	1	
4	H12X104	HOSE, 1/2 X 104" C/W 8MP X 8MP	1	
5	H12X42P	HOSE, 1/2 X 42" C/W 8MP X 8MP	1	
6	H12X138P	HOSE, HYD, 1/2 X 138, 1/2 M/MNPT	1	
7	H12X64P	HOSE, 1/2 X 64" C/W 8MP X 8MP	1	
8	H12X72P	HOSE, 1/2 X 72" C/W 8MP X 8MP	1	
9	19801WH	SPOUT CLAMP, 10 IN SA	1	4504117
	18987WH	13 " HALF RING	1	4505041
10	17706WH	10" HYDRAULIC VALVE BRACKET	1	4504233
	17707	13" HYDRAULIC VALVE BRACKET	1	4505073
11	9900752	FITTING, 12MP TO 8 FP	2	
12	19542	BOLT, 7/16 X 1 UNC GR5 PLD	2	4500068
13	9900514	BOLT, 5/16 X 2 UNC GR5 PLD	3	
14	19980	NUT NYLOCK 5/16 UNC GR5 PLT	3	9900520
15	19598	NUT NYLOCK 7/16 UNC GR5 PLT	2	9900643
16	17675	SINGLE SPOOL HYDRAULIC VALVE	1	
17	18955	BOLT, 3/8 X 1 UNC GR5 PLD (10/13" DOP)	8/12	9900699
18	0310067	TUBE HEAD PLATE, 10" HYD.	1	
	0309019-2	TUBE HEAD PLATE, 13" HYD.	1	
19	17402	NUT NYLOCK 3/8 UNC GR5 PLT	8	0601007

HYDRAULIC, 10"



ITEM	PART NO.	DESCRIPTION	QTY	CROSS REF.
1	28183	HYD MOTOR 4.6 CU. IN.	2	9901001PRP
2	28478	FTG, ELB, 1/2MNPT X 1/2FNPSM	4	9900331
3	9900332	FTG,ELB,1/2MNPT X 1/2FNPSM W/ORIF	1	
4	0800834	FTG, STL, 1/2"MNPT X 1/2"FNPSM	1	
5	H12X36P	HOSE, 1/2 X 36" C/W 8MP X 8MP	1	
6	H12X138P	HOSE, HYD, 1/2 X 138, 1/2 M/MNPT	1	
7	H12X64P	HOSE, 1/2 X 64" C/W 8MP X 8MP	1	
8	H12X72P	HOSE, 1/2 X 72" C/W 8MP X 8MP	1	
9	0300672A-2	RING 10" SMALL PIECE	1	
10	0310025	VALVE MOUNT BRACKET	1	
11	2300053	HYD. ADAPTER, 12MP-8FPX	2	
12	9900801	BOLT, 1/4 X 1-1/2 UNC GR5 PLD	4	
13	19540	BOLT, 3/8 X 3/4 UNC GR5 PLD	4	9900530
14	17754	NUT HEX 3/8 UNC GR5 PLT	4	9900660
15	28449	NUT NYLOCK 1/4	4	9900562
16	1600027	GRESEN VALVE	1	
17	18955	BOLT, 3/8 X 1 UNC GR5 PLD	8	9900699
18	0310019-2	TUBE HEAD PLATE, 10" HYD.	1	
19	17402	NUT NYLOCK 3/8 UNC GR5 PLT	8	0601007
20	19604	LOCK WASHER	4	9900528
21	H12X180P-1	HOSE, 1/2 X 180" C/W 8MP X 8MP	1	
22	H12X54P	HOSE, 1/2 X 54" C/W 8MP X 8MP	1	

ELECTRIC, 10"/13"



ITEM	PART NO.	DESCRIPTION	QTY	CROSS REF.
1	9900180	SPROCKET 6012 W 1(KEY0.25)	1	
2	9900187	SPROCKET 6036 X 1(KEY0.25)	1	
3	0309049	CHAIN, #60, ELEC END DRIV, W/CONN. LINK	1	
4	19321	1.0" FLANGETTE BEARING W/LOCKING COLLAR	2	0300611
5	9900898	CARRIAGE BOLT- UNC 5/16 X 0.75" GR5	4	
6	0310055	END DRIVE MOUNT, 10" ELEC DOP	1	
	0309039	END DRIVE MOUNT, 13" ELEC DOP	1	
7	19540	BOLT, 3/8 X 0.75 UNC GR5 PLD	4	9900530
8	17402	NUT NYLOCK 3/8 UNC GR5 PLT	17/16	0601007
9	0310066	END DRIVE COVER	1	
10	19980	NUT NYLOCK 5/16 UNC GR5 PLT	4	9900520
11	9900176	IDLER ASSEMBLY, #60, 14T	1	
	9900229	IDLER ASSEMBLY, #60, 15T (SUBSTITUTE)	1	
12	18093	BOLT, 5/8 X 3-1/2 UNC GR5 PLD (NOT SHOWN)	1	9900799
13	19600	NUT NYLOCK 5/8 UNC GR5 PLT	1	9900831
14	19966	WASHER FLAT SAE 5/8 PLD	3	9900779
15	0309064	IDLER SPACER	1	
16	0309044	DOP MOTOR MOUNT WITH GUARD BRACKET	1	
17	0310061	FLEX COUPLER, 1" & 1-3/8"	1	
18	0309011-5	KEY, 1/4SQ X 1-1/4	2	
19	0309007-5	SHAFT, KEYED 1", ELEC DOP	1	
20	18829	SHAFT GUARD, 10" ELEC DOP	2	0310059
	0309053	SHAFT GUARD, 13" ELEC DOP	2	
21	0310058	ELEC DRIVESHAFT, 10" DOP	1	
	0309045	ELEC DRIVESHAFT, 13" DOP	1	
22	-	ELECTRIC MOTOR, 7.5 HP MINIMUM (10")	1	
	-	ELECTRIC MOTOR, 14 HP MINIMUM (13")	1	
23	19274	SMS, #14 X 5/8" W/ WASHERHEAD	4	9900132
24	18955	BOLT, 3/8" X 1" UNC	8	9900699
25	67596	KEY, 5/16SQ X1-1/4 (NOT SHOWN)	1	
26	27980	BOLT, 3/8 X 3-1/2 UNC GR5 PLD	1	9900510
	9900714	BOLT, 3/8 X 3-1/2 UNC GR5 PLD	1	

